

# FARLIGHT



## NIGHT VISION FRIENDLY LED OBSTRUCTION LIGHT

FAA Type L-864

ICAO Medium Intensity Type B & C

ETL Certified to: FAA AC 150/5345-43G; EB-67

Compliant to: ICAO Annex 14  
Canadian CAR 621.19  
CASA Part 139



### Application:

Farlight's NV-Series LED obstruction lights combine the energy and cost saving benefits of LEDs with advanced technology to ensure reliable operation in all environments. The NV-L864LED is the most compact and efficient medium intensity LED obstruction light on the market. All Farlight NV-Series obstruction lights are compatible with NVG systems, making them the first true LED replacement for incandescent obstruction beacons. Farlight obstruction lights are designed and manufactured in California, and come with a 5-year warranty.

### FEATURES

- Saves energy and requires no regular maintenance
- Compact and lightweight design simplifies installation
- **Dual Mode Beacon - Night Vision Goggle Friendly**
- Advanced lightning protection
- Active power factor correction
- Integrated alarm contacts (NC)
- Integrated GPS sync and photocell (optional)
- Resistant to shock and vibration
- Mounts to standard bolt pattern (13.25" bolt circle)
- 5 year warranty
- Designed and Manufactured in California

### OPERATING CONDITIONS

Temperature:	-55°C to +55°C
Wind:	150 MPH
Humidity:	Up to 95% relative humidity
Salt Fog:	MIL-STD-810E, Method 509.3

### SPECIFICATIONS

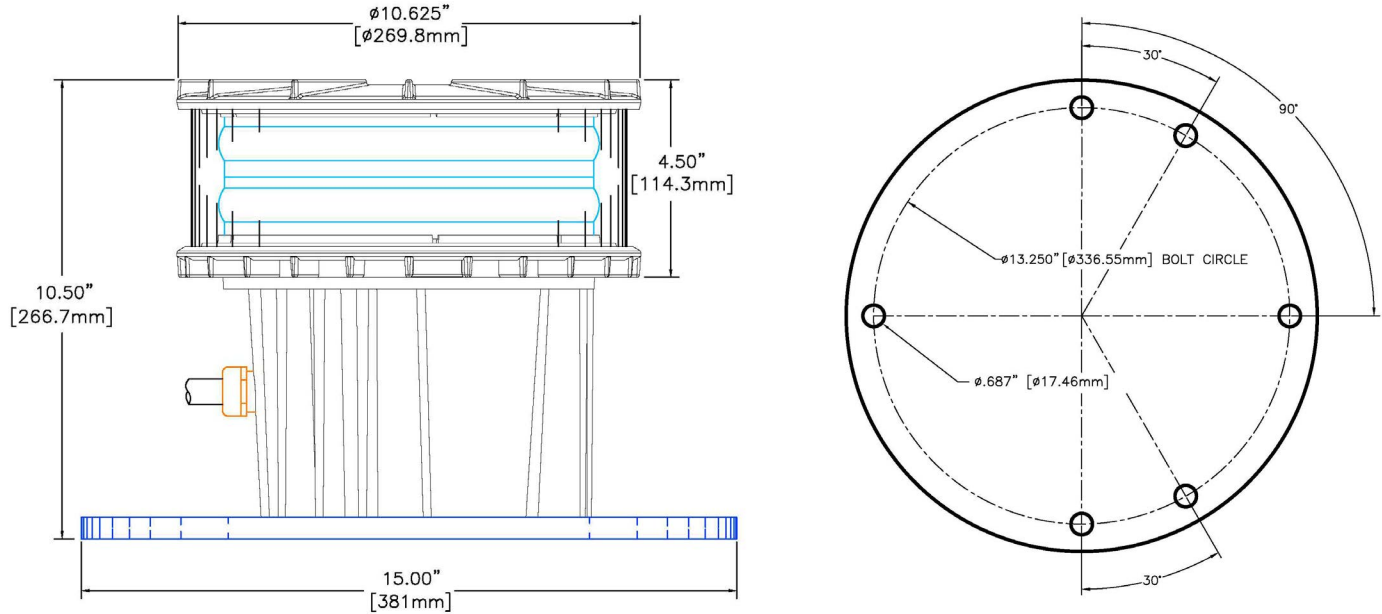
Nighttime Intensity:	2000 candelas
Nighttime Wattage:	< 9-watts (average)
Input Voltages:	90-265V AC (50/60 Hz) 24-48V DC or 12V DC
Power Factor:	> 0.95
Dimensions:	10.625" D x 10.5" H
Weight:	< 18 lbs. (8.16 kg.)
Mounting:	13.25" Bolt Circle
IP Rating:	IP66

### NVG FRIENDLY

Night Vision Goggles (NVGs) typically use filters that make common LED obstruction lights *invisible* to pilots.

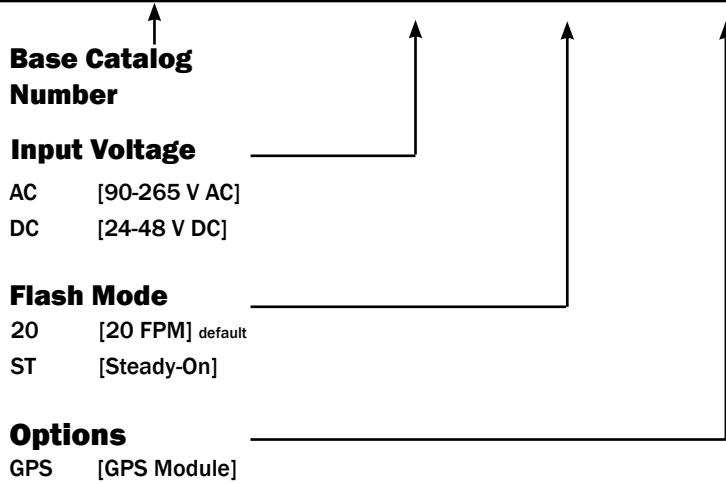
Farlight's NV-Series obstruction lights combine Red (620nm) and IR (850nm peak intensity) LEDs to ensure that obstructions marked with our beacons and side lights are *visible to ALL pilots*.

## MECHANICAL DIMENSIONS



## ORDERING INFORMATION

**NV-L864LED** - \_\_\_\_\_



## SHIPPING INFORMATION

CATALOG NUMBER	APPROX. SHIP WEIGHT	CARTON DIMENSIONS
NV-L864LED (all models)	26 lbs (11.8 kg)	17" x 17" x 16"